

IMPORTANT INFORMATION

IMPORTANT! Read this information before proceeding. It is the user's responsibility to take the following precautions at all times.

- Use caution when handling the E-Z UP® folding frame. Avoid pinching hands or fingers as frame opens or closes.
- Always secure by stake or weight down your shelter. Wind and rain can damage the E-Z UP® Instant Shelter® and may also result in injury to you or others. Therefore, do not rely on shelter for protection in heavy or prolonged rain storms.
- Do not leave your E-Z UP® Instant Shelter® unattended.
- Do not use shelter in a lightning storm.
- The E-Z UP® Instant Shelter® is designed as a temporary shelter. Fabric top may fade if left up for extended periods.
- Keep all flame and heat sources away from fabric top. Do not build fires within shelter enclosure.

Fire resistant - meets CPAI-84 requirements.

CARE AND MAINTENANCE

For long lasting durability and the best possible protection for your E-Z UP® Instant Shelter®, follow these E-Z care and maintenance instructions:

- Use a mild soap (not detergent) and plenty of water for top cleaning.
- Let the top and frame dry completely before closing or storing to avoid mildew. Inner leg must be dry and clean before sliding inside outer legs.
- Frame will operate better if occasionally wiped with silicone spray on inner and outer legs, especially before and after use in damp conditions. Remove excess silicone residue before applying top.
- Use a seam sealer if top leaks or drips water. Available at most sporting goods and hardware stores.
- Slightly tighten bolts if frame becomes loose.

For online warranty, service, parts and accessories as E-Z as 1-2-click, contact us at

www.ezup.com

Ask about our other E-Z UP® Instant Products™

Covered under one or more of the following patents: 4,607,656; 4,924,896; 5,244,001; 5,421,356; 5,485,863; 5,490,533; 5,511,572; 5,632,292; 5,632,293; 5,794,546; 5,797,412; 5,813,425; 5,865,127; 5,921,260; 5,934,301; 6,041,800; 6,070,604; 6,076,312; 6,129,102; 6,138,702; 6,192,910; 6,230,729; 6,240,940; 6,361,057; 6,363,956; 6,374,842; 6,382,224; 6,397,872; 6,412,507; 6,431,193; 6,439,251; 6,470,902; 6,502,597; 6,520,196; 6,601,599; 95704390; 94/2354; 91461; 132167; 95/0693; 95/6140; 95/6141; 84107895; 684,978; 2123096; 190486; 289754; 215344; 701077; 2128935; 2949648; 48648; DE 695 10 919 T2; W096/03561. International Design Registration No. DIM/009515 Benelux Design Registration No. 16959-04. Other US and foreign patents pending. © Copyright 2004 International E-Z UP, Inc. USA. All rights reserved. -0204



5 YEAR WARRANTY

INTERNATIONAL E-Z UP, INC., manufacturer of the E-Z UP® Instant Shelter®, warrants to the original purchaser who provides a dated sales receipt, each part of the E-Z UP® Instant Shelter® to be free from defects in material or workmanship for a period of five years after the date of original purchase. This warranty applies only for normal and expected uses, as determined by the manufacturer. INTERNATIONAL E-Z UP, INC.'s obligation and liability under this warranty is limited to the repair or replacement (at its option) of the product or its parts, after its own review and examination.

RETURN ADVISORY - Before returning any part or product to INTERNATIONAL E-Z UP, INC. or its designated representative, please phone or write to obtain specific return shipping instructions. All shipping costs must be prepaid, and INTERNATIONAL E-Z UP, INC. is not responsible for products damaged in transit.

CONDITIONS - This warranty shall be void as to any product which has been altered or modified in any manner. This warranty does not apply to damages caused by wind, rain, or other forces of nature, not to accidental or deliberated damage of the product, nor to use of the product that does not conform with the product instructions.

This warranty is provided in lieu of all other warranties, expressed or implied.

We Make Life E-Z!™

INTERNATIONAL E-Z UP, INC.

Professional Products Division

1601 Iowa Avenue, Riverside, California 92507

(909) 781-0843 • Fax (909) 781-0586

www.ezup.com

Toll-Free Sales

800-45 SHADE

OWNER'S MANUAL

E-Z UP® INSTANT SHELTER®



"Sets Up in Seconds!™"

**SPEED II
SHELTER II**

8' x 12'

Take time to learn how to provide years of durable and safe use from your E-Z UP® Instant Shelter®. After reading these instructions carefully, if you have any need of assistance, call our Customer Service Department.



Customer Service Hot Line

800-SHADE ME

7 4 2 3 3 6 3

www.ezup.com

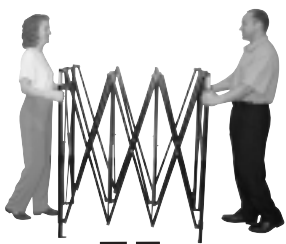
INFORMATION

Please read each step before you attempt to set up. Save these instructions for future reference.

How To SET UP

*Note: First Time Attachment Is Required.

Top and frame are shipped unattached to avoid damage. A first time set up requires that top be bolted on to the frame. This first time set up takes a few minutes. Once top is permanently attached to frame, set up and take down are easily accomplished within seconds.



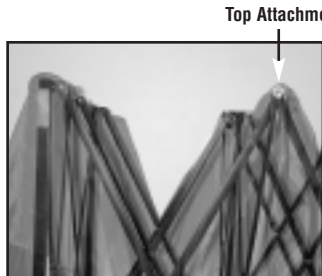
1. Place your E-Z UP® frame in the center of area to be shaded. With partner on opposite side, grasp outer legs, lift off the ground, and step backwards - stopping at full arm's length - approximately 3/4 it's total size.



***2.** Gently unfold the fabric top and place it over the open frame.

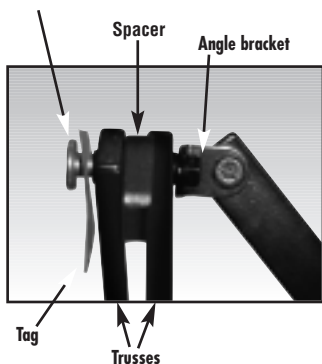


***3.** Attach the top to the frame at all four corners by matching Velcro® strips on the top with the Velcro® strips on the frame. Push the Velcro® firmly together at each corner.



Top Attachment Nut

***4.** To bolt the top to frame, line up grommet holes on valance with the top attachment nuts on the frame, identified with red instruction tag.

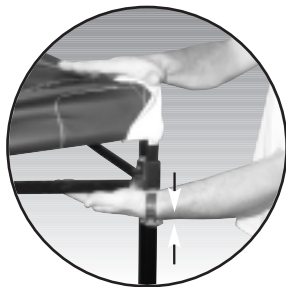


Spacer
Angle bracket
Tag
Trusses

***5.** Unscrew top attachment nut from bolt. Place grommets top over the bolt, screw on top attachment nut and tighten until snug. Top should rotate easily - do not overtighten. Repeat on remaining grommets.



6. With partner on opposite short side, grasp the bottom of the diamond by the "open" stickers. Lift up and step backwards slowly until shelter is fully opened. Be careful not to pinch fingers.



7. Engage the slider at each corner by pushing up with one hand while holding down the top of the leg with the other hand. The pull pin will engage in the hole. Then pull down the fabric of the top. Repeat on remaining corners.



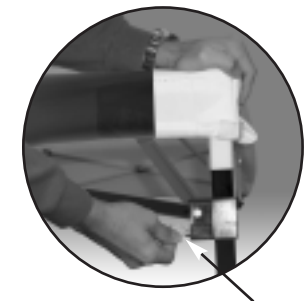
8. With partner, lift adjacent outer legs and slide out the inner legs until the snap button locks. Repeat on the remaining two legs.

Note: Once top is permanently attached, only perform steps 1, and 6,7,8 to set up.

How To TAKE DOWN



1. With partner, lift up two adjacent outer legs, depress snap button and telescope the inner legs up into the outer legs. Repeat on the remaining two legs.



2. Release pull pin at each corner by first lifting fabric up away from slider. Pull the pull pin ring out to release.



3. With partner on opposite side, grasp the top of diamond on opposite sides by the "close" stickers. Lift the shelter up slightly and off the ground while slowly stepping toward your partner until the unit is 3/4 closed. With each partner grasping two outer legs, push frame together to fully close it - **Be careful not to pinch fingers.** Store shelter in cover bag in upright position.